

VEGAPULS 61

Foundation Fieldbus

Radar sensor for continuous level measurement of liquids



Application area

The VEGAPULS 61 is a sensor for continuous level measurement of liquids under simple process conditions. Due to its simple and versatile mounting options, VEGAPULS 61 offers a truly cost-effective solution. The encapsulated antenna system ensures maintenance-free operation.

Your benefit

- Maintenance-free operation thanks to non-contact measuring principle
- High plant availability, because wear and maintenance free
- Exact measuring results independent of process conditions

Function

Extremely short microwave pulses are emitted by the antenna system in the direction of the measured product, reflected by the product surface and received back again by the antenna system. The time from emission to reception of the signals is proportional to the level in the vessel. A special time stretching procedure allows reliable and precise measurement of the extremely short signal running times.

Technical data

Measuring range up to	35 m (114.8 ft)
Deviation	±2 mm
Process fitting	Thread G1½, 1½ NPT, mounting strap, compression flanges from DN 80, 3", adapter flanges from DN 100, 4"
Process pressure	-1 ... +3 bar/-100 ... +300 kPa (-14.5 ... +43.5 psig)
Process temperature	-40 ... +80 °C (-40 ... +176 °F)
Ambient, storage and transport temperature	-40 ... +80 °C (-40 ... +176 °F)
Operating voltage	9 ... 32 V DC

Materials

The wetted parts of the instrument are made of PVDF or PP. The process seal is made of FPM. You will find a complete overview of the available materials and seals in the "Configurator" at www.vega.com and "VEGA Tools".

Housing versions

The housings are available as single chamber or double chamber version in plastic, stainless steel or aluminium. They are available with protection ratings up to IP 68 (1 bar).

Electronics versions

The instruments are available in different electronics versions. Apart from 4 ... 20 mA/HART in two and four-wire version, there are also digital versions with Profibus PA, Foundation Fieldbus and Modbus protocols. Another HART version is available with integrated accumulator.

Supplementary electronics

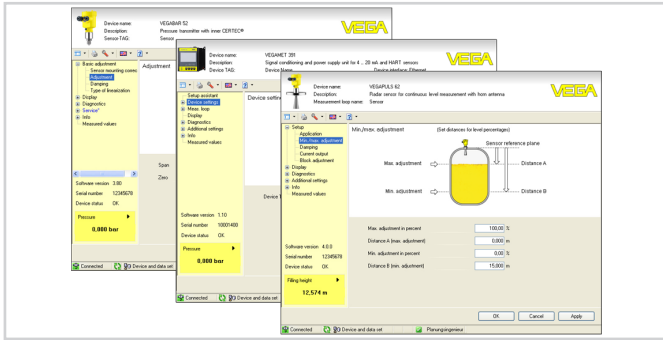
For instruments with double chamber housing two supplementary electronics such as radio module or a power pack are available.

Approvals

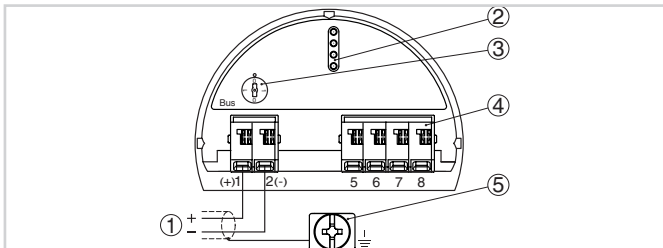
The instruments are suitable for use in hazardous areas and are approved e.g. according to ATEX and IEC. The instruments also have various ship approvals such as e.g. GL, LRS or ABS. You can find detailed information at www.vega.com/downloads and "Approvals".

Operation

The adjustment of the instrument is carried out via the optional display and adjustment module PLICSCOM or via a PC with the adjustment software PACTware and respective DTM. Another adjustment possibility is a configuration tool for Foundation Fieldbus instruments.



Electrical connection

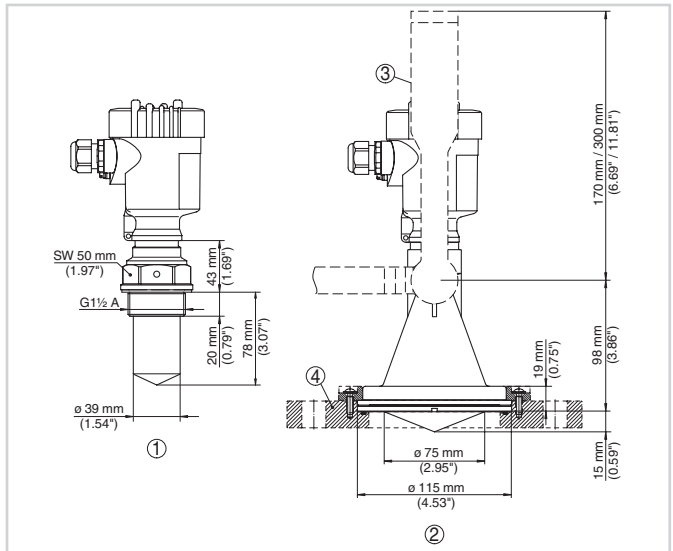


Electronics and terminal compartment, single chamber housing

- 1 Voltage supply/Signal output
- 2 Contact pins for the display and adjustment module or interface adapter
- 3 Simulation switch ("1" = mode for simulation release)
- 4 For external display and adjustment unit
- 5 Ground terminal for connection of the cable screen

You can find details on electrical connection in the instrument operating instructions at www.vega.com/downloads.

Dimensions



Dimensions VEGAPULS 61

- 1 Version with encapsulated antenna system
- 2 Version with plastic horn antenna
- 3 Mounting strap
- 4 Adapter flange

Information

You can find further information about the VEGA product line on www.vega.com. In the download section at www.vega.com/downloads you'll find operating instructions, product information, brochures, approval documents, instrument drawings and much, much more. There, you will also find GSD and EDD files for Profibus PA systems as well as DD and CFF files for Foundation Fieldbus systems.

Instrument selection

With the "Finder" at www.vega.com/finder and "VEGA Tools" you can select the most suitable measuring principle for your application. You can find detailed information on the instrument versions in the "Configurator" at www.vega.com/configurator and "VEGA Tools".

Contact

You can find the VEGA agency serving your area on our homepage www.vega.com.